

# Tel escoping Base Stands

These stands have telescoping legs so that they may be adjusted to seven height positions.\* The stands are available with fixed feet or casters for mobility.

## Standard Features

- Meet NSF Standard for stability and construction.
- Support any Purifier Delta Series Safety Cabinet, Purifier Clean Bench or Enclosure.
- Support loads up to 1000 pounds.
- ADA-compliant.
- Durable 1.75" tubular, epoxy-coated steel frame. Models 3' wide and larger have rear crossbar supports.
- Telescoping legs are adjustable to seven height positions in 1" increments from 27.5" to 33.5".\*
- Available with four fixed leveling feet or 5" diameter, toe-locking, non-marking polyurethane casters with bearings for quiet operation.

\*Height selection and adjustment are required **before** the enclosure is installed atop the stand.

## 3730500 Caster Kit

For converting Telescoping Base Stands with Fixed Feet manufactured after 10/02. Kit includes four 5" diameter, non-marking polyurethane casters with toe locks. Load rating for each caster is 250 pounds. Casters have bearings for quiet operation. Casters replace the fixed feet included with Telescoping Base Stands. **Installation is required.** Shipping weight 10 lbs. (4.5 kg)



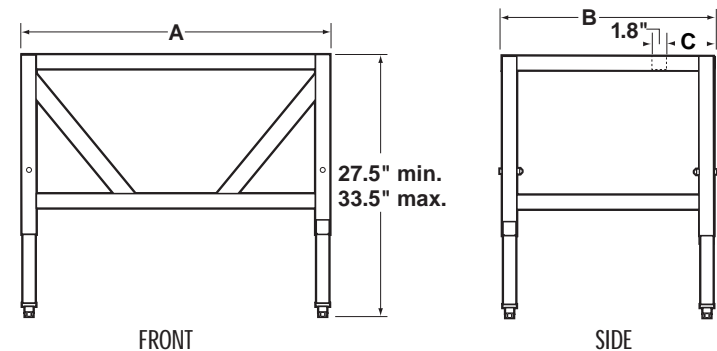
Telescoping Base Stand with Fixed Feet 3747010.



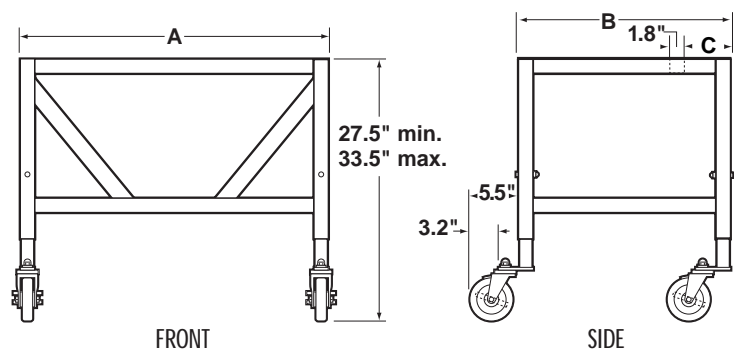
**Inset:** Telescoping Base Stand with Casters 3746701.

Catalog Numbers	Nominal Width	A	B	C
3746700, 3746710	2-Ft	24.0"	29.0"	8.2"
3746701, 3746711	3-Ft	36.0"	29.0"	8.2"
3730300, 3730310	3-Ft	38.5"	29.0"	13.0"
3747002, 3747012	4-Ft	48.0"	25.5"	8.2"
3746702, 3746712	4-Ft	48.0"	29.0"	8.2"
3730400, 3730410	4-Ft	50.5"	29.0"	13.0"
3830500, 3830510	5-Ft	62.5"	29.0"	13.0"
3746704, 3746714	6-Ft	72.0"	29.0"	8.2"
3730600, 3730610	6-Ft	74.5"	29.0"	8.2"

## With Fixed Feet



## With Casters



# Tel escoping Base Stands

## Telescoping Base Stands with Fixed Feet

Nominal Width	Catalog #	Overall Width x Depth	Shipping Weight	For Use With:
2-Ft	3746700	24.0" w x 29.0" d	100 lbs. (45 kg)	Purifier Class I Enclosure, Purifier HEPA Filtered Enclosure, Purifier Vertical Clean Bench, Purifier Filtered PCR Enclosure
3-Ft	3746701	36.0" w x 29.0" d	100 lbs. (45 kg)	Purifier Class I Enclosure, Purifier Class I Enclosure, Purifier HEPA Filtered Enclosure, Purifier Horizontal Clean Bench, Vertical Clean Bench, Purifier Filtered PCR Enclosure
3-Ft	3730300	38.5" w x 29.0" d	110 lbs. (50 kg)	Purifier Delta Series Safety Cabinet
4-Ft	3747002	48.0" w x 25.5" d	110 lbs. (50 kg)	Purifier Non-Ventilated PCR Enclosure, Purifier Tissue Culture Enclosure
4-Ft	3746702	48.0" w x 29.0" d	115 lbs. (52 kg)	Purifier Class I Enclosure, Purifier Class I Enclosure, Purifier HEPA Filtered Enclosure, Purifier Horizontal Clean Bench, Vertical Clean Bench, Purifier Filtered PCR Enclosure
4-Ft	3730400	50.5" w x 29.0" d	117 lbs. (53 kg)	Purifier Delta Series Safety Cabinet
5-Ft	3830500	62.5" w x 29.0" d	124 lbs. (56 kg)	Purifier Delta Series Safety Cabinet
6-Ft	3746704	72.0" w x 29.0" d	125 lbs. (57 kg)	Purifier Horizontal Clean Bench
6-Ft	3730600	74.5" w x 29.0" d	130 lbs. (59 kg)	Purifier Delta Series Safety Cabinet

## Telescoping Base Stands with 5" diameter Toe-Locking Casters\*

Nominal Width	Catalog #	Overall Width x Depth	Shipping Weight	For Use With:
2-Ft	3746710	24.0" w x 29.0" d	100 lbs. (45 kg)	Purifier Class I Enclosure, Purifier HEPA Filtered Enclosure, Purifier Vertical Clean Bench, Purifier Filtered PCR Enclosure
3-Ft	3746711	36.0" w x 29.0" d	100 lbs. (45 kg)	Purifier Class I Enclosure, Purifier Class I Enclosure, Purifier HEPA Filtered Enclosure, Purifier Horizontal Clean Bench, Vertical Clean Bench, Purifier Filtered PCR Enclosure
3-Ft	3730310	38.5" w x 29.0" d	110 lbs. (50 kg)	Purifier Delta Series Safety Cabinet
4-Ft	3747012	48.0" w x 25.5" d	110 lbs. (50 kg)	Purifier Non-Ventilated PCR Enclosure, Purifier Tissue Culture Enclosure
4-Ft	3746712	48.0" w x 29.0" d	115 lbs. (52 kg)	Purifier Class I Enclosure, Purifier Class I Enclosure, Purifier HEPA Filtered Enclosure, Purifier Horizontal Clean Bench, Vertical Clean Bench, Purifier Filtered PCR Enclosure
4-Ft	3730410	50.5" w x 29.0" d	117 lbs. (53 kg)	Purifier Delta Series Safety Cabinet
5-Ft	3830510	62.5" w x 29.0" d	124 lbs. (56 kg)	Purifier Delta Series Safety Cabinet
6-Ft	3746714	72.0" w x 29.0" d	125 lbs. (57 kg)	Purifier Horizontal Clean Bench
6-Ft	3730610	74.5" w x 29.0" d	130 lbs. (59 kg)	Purifier Delta Series Safety Cabinet

\*Enclosures supported by mobile Base Stands will require special modifications to incorporate flexible ducting, wiring and plumbing when applied.

## Accessory Shelves

Glacier white, epoxy-coated, 16 gauge steel. Designed to hook on the lower rear horizontal cross member of the Telescoping Base Stand. Provides storage space for wipes, cleaning agents, gloves and other miscellaneous laboratory supplies. One each.



Nominal Width	Catalog #	Shelf Width x Depth	Shipping Weight	For Use With:
2-Ft	3811100	20.4" x 9.9"	9 lbs. (4 kg)	3746700, 3746701
3-Ft	3811101	32.4" x 9.9"	12 lbs. (5 kg)	3746710, 3746711
3-Ft	3811105	34.9" x 9.9"	12 lbs. (5 kg)	3730300, 3730310
4-Ft	3811102	44.4" x 9.9"	15 lbs. (7 kg)	3747002, 3746702, 3747012, 3746712
4-Ft	3811106	46.9" x 9.9"	16 lbs. (7 kg)	3730400, 3730410
5-Ft	3811103	56.4" x 9.9"	19 lbs. (9 kg)	3830500, 3830510
6-Ft	3811104	68.4" x 9.9"	23 lbs. (10 kg)	3746704, 3746714
6-Ft	3811108	70.9" x 9.9"	23 lbs. (10 kg)	3730600, 3730610

# Electric & Manual Hydraulic Lift Base Stands

These stands have a built-in hydraulic lift so that height may be adjusted at any time. They allow you to position the stand and the safety cabinet or clean bench it supports to accommodate persons of different heights and wheelchair-bound users, to transport equipment through doorways, and for easier service access.

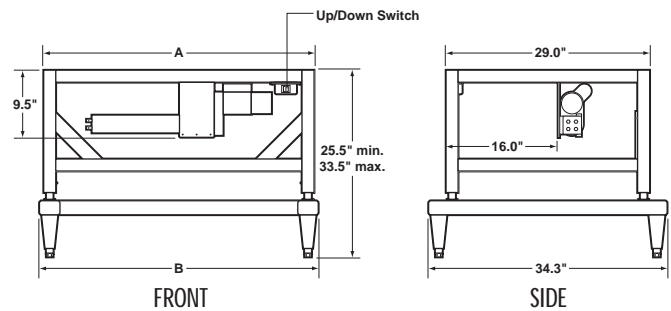
## Standard Features

- Meet NSF Standard for stability and construction.
- Support Purifier Delta Series Safety Cabinets, Purifier Class I Safety Enclosures, Purifier HEPA Filtered Enclosures, Purifier Horizontal Clean Benches, Purifier Vertical Clean Benches and Purifier Filtered PCR Enclosures.
- Support loads up to 1000 pounds.
- ADA-compliant.
- Durable 1.75" tubular, epoxy-coated steel frame with rear cross-bar supports. Sub-frame is 2.0" x 3.0".
- Height is infinitely adjustable from 25.5" to 33.5" high.
- Include four powder-coated, die-cast feet with levelers.
- Include front-accessible up/down switch (Electric Lift models)
- Include front-accessible hand crank. Turning the crank clockwise raises the stand; counterclockwise lowers it. The handle may be disengaged and folded under, out of the way, when not in use. (Manual Lift models)

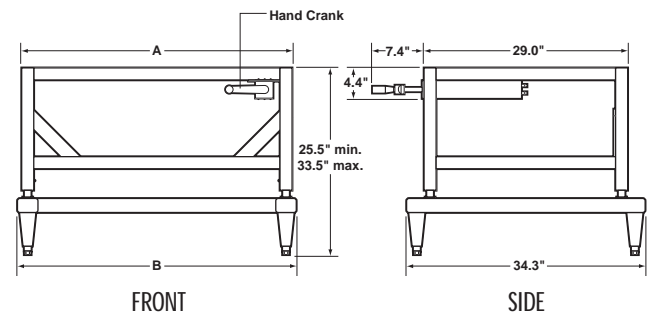


Manual Hydraulic Lift Base Stand 3780304.

## Electric Lift



## Manual Lift



## Caster Kit 3784000

Casters add mobility to the Hydraulic Lift Base Stand. Kit includes four 5" diameter, non-marking polyurethane casters with toe locks. Load rating for each caster is 250 pounds. Casters have bearings for quiet operation. Casters replace the fixed feet that are included with the stand. **Installation is required.** Not for use with stands that support hard-ducted enclosures such as Purifier Class II, Type B2 Safety Cabinets. Shipping weight 10 lbs. (4.5 kg)

Catalog Numbers	Nominal Width	A	B
3780300, 3780303, 3780400	3-Ft	36.0"	37.2"
3780100, 3780103, 3780200	3-Ft	38.5"	39.7"
3780301, 3780304, 3780401	4-Ft	48.0"	49.2"
3780101, 3780104, 3780201	4-Ft	50.5"	51.7"
3780106, 3780107, 3780208	5-Ft	62.5"	63.9"
3780302, 3780305, 3780402	6-Ft	72.0"	73.2"
3780302, 3780105, 3780202	6-Ft	74.5"	75.7"

# Electric & Manual Hydraulic Lift Base Stands

## Electric Hydraulic Lift Base Stands

Nominal Width	Catalog #	Overall Width x Depth	Switch Location	Electrical Requirements	Shipping Weight	For Use With:
3-Ft	<b>3780300</b>	36.0" w x 29.0" d	Right Side	115 volts, 60 Hz, 2.4 amps	150 lbs. (68 kg)	Purifier Class I Enclosure, Purifier HEPA Filtered Enclosure, Purifier Horizontal Clean Bench, Purifier Vertical Clean Bench, Purifier Filtered PCR Enclosure
3-Ft	<b>3780303*</b>	36.0" w x 29.0" d	Right Side	230 volts, 50 Hz, 0.8 amp	150 lbs. (68 kg)	Purifier Class I Enclosure, Purifier HEPA Filtered Enclosure, Purifier Horizontal Clean Bench, Purifier Vertical Clean Bench, Purifier Filtered PCR Enclosure
3-Ft	<b>3780100</b>	38.5" w x 29.0" d	Left Side	115 volts, 60 Hz, 2.4 amps	170 lbs. (77 kg)	Purifier Delta Series Safety Cabinet
3-Ft	<b>3780103*</b>	38.5" w x 29.0" d	Left Side	230 volts, 50 Hz, 0.8 amp	170 lbs. (77 kg)	Purifier Delta Series Safety Cabinet
4-Ft	<b>3780301</b>	48.0" w x 29.0" d	Right Side	115 volts, 60 Hz, 2.4 amps	180 lbs. (82 kg)	Purifier Class I Enclosure, Purifier HEPA Filtered Enclosure, Purifier Horizontal Clean Bench, Purifier Vertical Clean Bench, Purifier Filtered PCR Enclosure
4-Ft	<b>3780304*</b>	48.0" w x 29.0" d	Right Side	230 volts, 50 Hz, 0.8 amp	180 lbs. (82 kg)	Purifier Class I Enclosure, Purifier HEPA Filtered Enclosure, Purifier Horizontal Clean Bench, Purifier Vertical Clean Bench, Purifier Filtered PCR Enclosure
4-Ft	<b>3780101</b>	50.5" w x 29.0" d	Left Side	115 volts, 60 Hz, 2.4 amps	185 lbs. (84 kg)	Purifier Delta Series Safety Cabinet
4-Ft	<b>3780104</b>	50.5" w x 29.0" d	Left Side	230 volts, 50 Hz, 0.8 amp	185 lbs. (84 kg)	Purifier Delta Series Safety Cabinet
5-Ft	<b>3780106</b>	62.5" w x 29.0" d	Left Side	115 volts, 60 Hz, 2.4 amps	215 lbs. (98 kg)	Purifier Delta Series Safety Cabinet
5-Ft	<b>3780107</b>	62.5" w x 29.0" d	Left Side	230 volts, 50 Hz, 0.8 amp	215 lbs. (98 kg)	Purifier Delta Series Safety Cabinet
6-Ft	<b>3780302</b>	72.0" w x 29.0" d	Right Side	115 volts, 60 Hz, 2.4 amps	220 lbs. (100 kg)	Purifier Horizontal Clean Bench
6-Ft	<b>3780305*</b>	72.0" w x 29.0" d	Right Side	230 volts, 50 Hz, 0.8 amp	220 lbs. (100 kg)	Purifier Horizontal Clean Bench
6-Ft	<b>3780102</b>	74.5" w x 29.0" d	Left Side	115 volts, 60 Hz, 2.4 amps	225 lbs. (102 kg)	Purifier Delta Series Safety Cabinet
6-Ft	<b>3780105*</b>	74.5" w x 29.0" d	Left Side	230 volts, 50 Hz, 0.8 amp	225 lbs. (102 kg)	Purifier Delta Series Safety Cabinet

## Manual Hydraulic Lift Base Stands

Nominal Width	Catalog #	Overall Width x Depth	Handle Location	Shipping Weight	For Use With:
3-Ft	<b>3780400</b>	36.0" w x 29.0" d	Right Side	150 lbs. (68 kg)	Purifier Class I Enclosure, Purifier HEPA Filtered Enclosure, Purifier Horizontal Clean Bench, Purifier Vertical Clean Bench, Purifier Filtered PCR Enclosure
3-Ft	<b>3780200</b>	38.5" w x 29.0" d	Left Side	170 lbs. (77 kg)	Purifier Delta Series Safety Cabinet
4-Ft	<b>3780401</b>	48.0" w x 29.0" d	Right Side	180 lbs. (82 kg)	Purifier Class I Enclosure, Purifier HEPA Filtered Enclosure, Purifier Horizontal Clean Bench, Purifier Vertical Clean Bench, Purifier Filtered PCR Enclosure
4-Ft	<b>3780201</b>	50.5" w x 29.0" d	Left Side	185 lbs. (84 kg)	Purifier Delta Series Safety Cabinet
5-Ft	<b>3780203</b>	62.5" w x 29.0" d	Left Side	215 lbs. (98 kg)	Purifier Delta Series Safety Cabinet
6-Ft	<b>3780402</b>	72.0" w x 29.0" d	Right Side	220 lbs. (100 kg)	Purifier Horizontal Clean Bench
6-Ft	<b>3780202</b>	74.5" w x 29.0" d	Left Side	225 lbs. (102 kg)	Purifier Delta Series Safety Cabinet

\* International electrical configuration

# SoLo™ Hydraulic Lift Base Stands

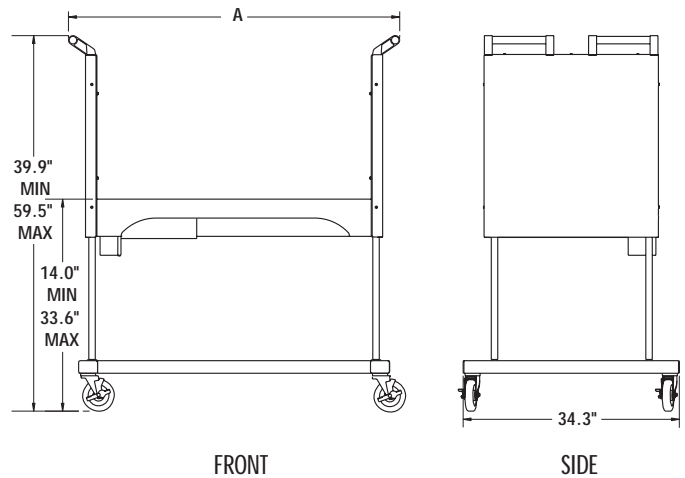
SoLo™ Hydraulic Lift Base Stands are specifically designed to support Purifier® Delta® Series Class II, Type A2 Biological Safety Cabinets. The hydraulic lift system permits the stand to be lowered to allow the safety cabinet to be transported through standard doorways as low as 78" high. Casters provide mobility and lock in place for stability.

## Standard Features

- Meet NSF Standard for stability and construction.
- Support any Purifier Delta Series Class II, Type A2 Safety Cabinet.
- Meet the minimum requirements of NSF Standard 49 for overturn resistance stability when used with Purifier Delta Series Cabinets.
- ADA-compliant.
- Durable epoxy-coated steel construction.
- Support loads up to 1300 pounds (590 kg).
- Built-in hydraulic lift is operated by a remote control with buttons for upward and downward movement. Height adjustment positions the enclosure for persons of different statures, wheel-chair bound users, transport through doorways, and easier service access to upper components.
- Infinitely adjustable height provides work surface heights from 17.2" to 36.8" and overall enclosure height as low as 76.2".
- 5" diameter, toe-locking, non-marking polyurethane casters with bearings for quiet operation.
- Two handle bars on each side facilitate transport. Bars are durable PVC-coated steel tubes with polyamide brackets.



SoLo Hydraulic Lift Base Stand 3780311.



Nominal Width	Actual Width (A)	Catalog #	Electrical Requirements	Additional Load Capacity*	For Use With: Purifier Delta Series Safety Cabinet	Shipping Weight
3-Ft	52.5"	<b>3780310</b>	115 volts, 60 Hz, 2 amps	700 lbs. (318 kg)	3620400, 3620404, 3620500, 3620504, 3620510, 3620514	395 lbs. (179 kg)
3-Ft.	52.5"	<b>3780314</b>	230 volts, 50 Hz, 3 amps	700 lbs. (318 kg)	3620520, 3620524	395 lbs. (179 kg)
4-Ft	64.5"	<b>3780311</b>	115 volts, 60 Hz, 2 amps	600 lbs. (272 kg)	3620800, 3620804, 3620900, 3620904, 3620910, 3620914	435 lbs. (197 kg)
4-Ft	64.5"	<b>3780315</b>	230 volts, 50 Hz, 3 amps	600 lbs. (272 kg)	3620920, 3620924, 3620930, 3620934	435 lbs. (197 kg)
5-Ft	76.5"	<b>3780312</b>	115 volts, 60 Hz, 2 amps	500 lbs. (227 kg)	3620000, 3620004, 3620100, 3620104	460 lbs. (209 kg)
5-Ft	76.5"	<b>3780316</b>	230 volts, 50 Hz, 3 amps	500 lbs. (227 kg)	3620120, 3620124	460 lbs. (209 kg)
6-Ft	88.5"	<b>3780313</b>	115 volts, 60 Hz, 2 amps	350 lbs. (159 kg)	3621200, 3621204, 3621300, 3621304, 3621310, 3621314	600 lbs. (272 kg)
6-Ft	88.5"	<b>3780317</b>	230 volts, 50 Hz, 3 amps	350 lbs. (159 kg)	3621320, 3621324	600 lbs. (272 kg)

\*Maximum weight of equipment loaded in safety cabinet or station, excluding weight of the safety cabinet or station.

# Seismic Base Stands

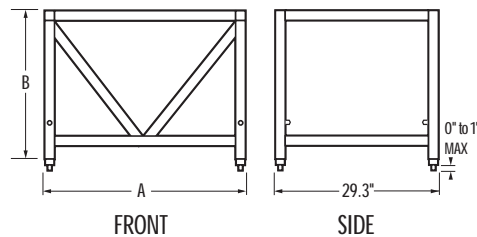
## Standard Features

- Meet NSF Standard for stability and construction.
- Securely support Purifier Delta Series Class II, Type A2 and B2 Safety Cabinets in earthquake-prone regions.
- Sturdy and durable 2" tubular, epoxy-coated steel.
- Available in two fixed working heights, 30" and 36".
- Include four leveling feet.
- Include four epoxy-coated 0.25" thick steel seismic brackets to secure the Seismic Base Stand to the floor.

Catalog #	Nominal Width	Overall Dimensions	Shipping Weight
3770300	3-Ft	38.5" w x 29.3" d x 28.0" h	90 lbs. (41 kg)
3770301	3-Ft	38.5" w x 29.3" d x 34.0" h	95 lbs. (43 kg)
3770400	4-Ft	50.5" w x 29.3" d x 28.0" h	118 lbs. (54 kg)
3770401	4-Ft	50.5" w x 29.3" d x 34.0" h	123 lbs. (56 kg)
3816500	5-Ft	62.5" w x 29.3" d x 28.0" h	138 lbs. (63 kg)
3816501	5-Ft	62.5" w x 29.3" d x 34.0" h	143 lbs. (65 kg)
3770600	6-Ft	74.5" w x 29.3" d x 28.0" h	157 lbs. (71 kg)
3770601	6-Ft	74.5" w x 29.3" d x 34.0" h	162 lbs. (73 kg)



Seismic Base Stand 3770300.



Catalog #	A	B
3770300	38.5"	28.0"
3770301	38.5"	34.0"
3770400	50.5"	28.0"
3770401	50.5"	34.0"
3816500	62.5"	28.0"
3816501	62.5"	34.0"
3770600	74.5"	28.0"
3770601	74.5"	34.0"

# Unassembled Base Stands

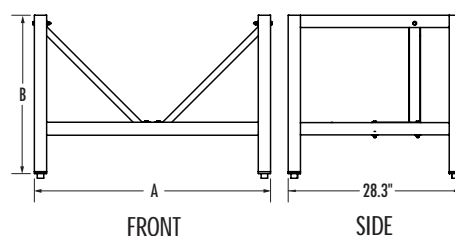
## Standard Features

- Meet NSF Standard for stability and construction.
- Support any Purifier Delta Series Safety Cabinet.
- Durable 2" tubular, epoxy-coated steel end frames with rear crossbar supports.
- Include four leveling feet.
- Shipped unassembled for compact, economical transport.
- Available in two fixed heights: 26.6" and 32.6".
- Easy to assemble.

Catalog #	Nominal Width	Overall Assembled Dimensions	Shipping Package Dimensions	Shipping Weight
3990000	3-Ft	38.5" w x 28.3" d x 26.6" h	6" w x 27" d x 38" h	50 lbs. (22.7 kg)
3990004	3-Ft	38.5" w x 28.3" d x 32.6" h	6" w x 33" d x 38" h	52 lbs. (23.6 kg)
3990001	4-Ft	50.5" w x 28.3" d x 26.6" h	6" w x 27" d x 50" h	53 lbs. (24.0 kg)
3990005	4-Ft	50.5" w x 28.3" d x 32.6" h	6" w x 33" d x 50" h	55 lbs. (24.9 kg)
3990002	5-Ft	62.5" w x 28.3" d x 26.6" h	6" w x 27" d x 62" h	55 lbs. (24.9 kg)
3990006	5-Ft	62.5" w x 28.3" d x 32.6" h	6" w x 33" d x 62" h	57 lbs. (25.9 kg)
3990003	6-Ft	74.5" w x 28.3" d x 26.6" h	6" w x 27" d x 74" h	58 lbs. (26.3 kg)
3990007	6-Ft	74.5" w x 28.3" d x 32.6" h	6" w x 33" d x 74" h	60 lbs. (27.2 kg)



Unassembled Base Stand 3990000.



Catalog #	A	B
3990000	38.5"	26.6"
3990001	50.5"	26.6"
3990002	62.5"	26.6"
3990003	74.5"	26.6"
3990004	38.5"	32.6"
3990005	50.5"	32.6"
3990006	62.5"	32.6"
3990007	74.5"	32.6"

# Delta® Cart

The Delta Cart was specifically designed to provide convenient storage of supplies commonly used in biological safety cabinets. Compartments hold and dispense pipettes, gloves, lab tissues and other small supplies. Its compact size allows it to fit easily under Purifier Delta Series Class II Safety Cabinets mounted on Telescoping Base Stands adjusted to any height. Casters and handles allow the cart to be easily moved to within reach while the user works at the biological safety cabinet.

## Standard Features

- Three right side compartments accommodate pipettes and other supplies.
- Top left side compartment with front panel cutouts accommodates boxes of wipes and gloves. The hinged panel may be pivoted down for loading.
- Drawer holds a variety of miscellaneous small instruments and supplies.
- Open storage area in bottom holds larger equipment and supplies.
- Work surface and bottom are constructed of corrosion-resistant white high density polyethylene that is easy to clean. Remaining components are constructed of corrosion-resistant white ABS.
- Compact dimensions allow easy fit under Purifier Delta Series Class II Safety Cabinets mounted on Telescoping Base Stands.
- Work surface is 25.0" w x 19.0" d (63.5 x 48.3 cm). Cabinet is 21.5" w x 17.4" d (54.6 x 44.2 cm). Overall height is 27.0" (68.6 cm).
- Work surface has handle cutouts in front and right hand side for easy access.
- 2" diameter casters provide mobility.



Delta Cart 8022000.

***Inset:** Delta Cart 8022000 stored beneath a Purifier Delta Series Class II, Type A2 Safety Cabinet 3620804 on Telescoping Base Stand 3730400.*



Catalog #	Description	Shipping Weight
8022000	Delta Cart	50 lbs. (23 kg)

## Ergonomic Chair



The Ergonomic Chair provides comfortable seating and may be used throughout the laboratory.

## Standard Features

- 6-way articulating seat and back control for personalized adjustment.
- Pneumatic mechanism seat height adjustment from 18.25" to 25.75".
- Five-leg black reinforced composite base with 2" diameter ball-bearing casters.
- Aluminum support ring.
- Removable armrests.
- Black vinyl upholstery.

Catalog #	Description	Shipping Weight
3744000	Ergonomic Chair with Armrests	35 lbs. (15.9 kg)

# Accessories

## For Purifier® Delta® Series Class II, Type A2 Safety Cabinets

### Remote Blowers

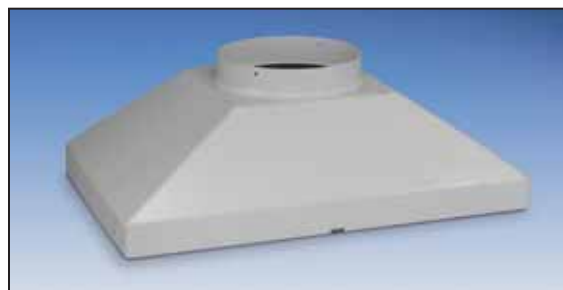
Recommended when thimble-ducting the Purifier Delta Series Class II, Type A2 Safety Cabinets. Helps to remove exhausted air from the ductwork to the outside. Motor is TEFC (totally enclosed fan cooled). Belt-drive blower has an adjustable sheave and self-adjusting gravity belt tightener. Impeller is phenolic-coated steel. Blower has a dry-powder epoxy-coated base and weathercover. An integral damper prevents backdrafts from flowing down through the ductwork and disrupting airflow within the cabinet. Includes a blower transition adapter with 10.875" ID inlet sized to accept 10" nominal diameter PVC duct and outlet sized to accept 8" nominal diameter PVC duct. Dimensions: 22.81" w x 17.13" d x 22.38" high (57.9 x 43.5 x 56.8 cm). See dimensional details on page 68. Shipping weight 93 lbs. (42 kg)



Catalog #	For use with:	HP	CFM@Static Pressure Loss	Electrical Requirements	Shipping Weight
3668000	3-Ft & 4-Ft Purifier	1/4	555 @ 0.25" to 448 @ 0.5"	115 volts, 1 $\phi$ , 60 Hz, 4.4 amps	93 lbs. (42 kg)
3668001	5-Ft & 6-Ft Purifier	1/2	760 @ 0.25" to 700 @ 0.5"	115 volts, 1 $\phi$ , 60 Hz, 8.4 amps	99 lbs. (45 kg)

### Canopy Connections

Thimble-ducting expands the use of Class II, Type A2 safety cabinets to include malodorous samples, small amounts of volatile toxic chemicals and tracer quantities of radionuclides. The Canopy Connections allow the Purifier Delta Series Class II, Type A2 Safety Cabinets to be thimble-ducted to the outside with minimal disturbance to the cabinet airflow. The canopy provides an air gap to allow room air to enter the ductwork and mix with the filtered air being exhausted to the outside. Each includes an epoxy-coated steel exhaust transition adapter, hardware necessary to install the adapter and installation instructions. Outlet is 10" ID and accepts 10" nominal diameter ductwork such as the Air-Tight Damper 3776800, which is sold separately. **Remote Blower 3668000 or 3668001 is recommended (not included).** Shipping weight 13 lbs. (5.9 kg)



Contact Labconco for ordering information on Canopy Connections for Purifier Delta Series Safety Cabinets manufactured prior to October 2003.

Catalog #	For use with:	Model Series	Total Exhaust Volume (Safety Cabinet and Room Air)
3794400	3-Ft Purifier Delta Series Class II, Type A2 Cabinets	36204/36205	303-334 CFM / 244-268 CFM
3794500	4-Ft Purifier Delta Series Class II, Type A2 Cabinets	36208/36209	404-444 CFM / 323-355 CFM
3794600	5-Ft Purifier Delta Series Class II, Type A2 Cabinets	36200/36201	546-601 CFM / 437-481 CFM
3794600	6-Ft Purifier Delta Series Class II, Type A2 Cabinets	36212/36213	654-720 CFM / 524-576 CFM

### 3776800 Air-Tight Damper

Manual adjustable damper may be permanently fastened directly atop the Canopy Connection Kit to provide a transition to exhaust ductwork and means to control the exhaust airflow. The damper may be adjusted to help minimize the amount of conditioned air being exhausted from the room. During cabinet decontamination procedures, a certified technician may close the damper to provide an air-tight seal. Type 304 stainless steel. 10" high with 10" OD inlet and outlet. Shipping weight 13 lbs. (5.9 kg)





# Remote Blower

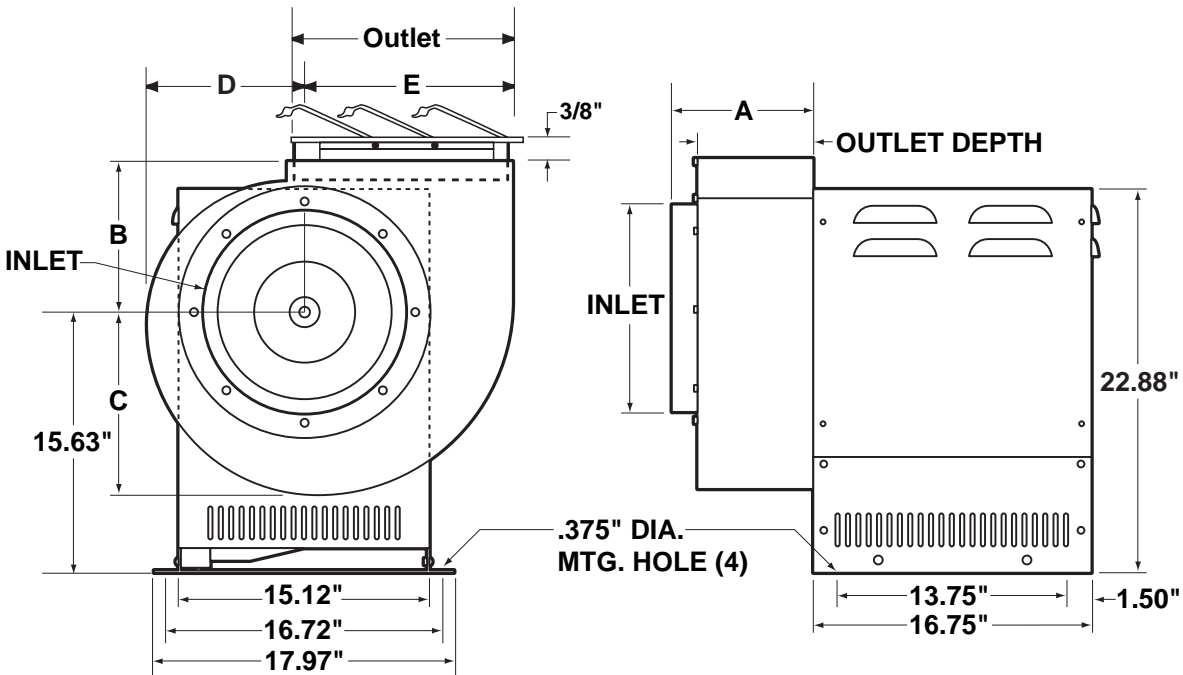
For Purifier® Delta® Series Total Exhaust Safety Cabinets

## 3663500 Remote Blower

A remote blower is required for operation of the Purifier Delta Series Class II, Type B2 Total Exhaust Safety Cabinet. The 2 hp motor is TEFC (totally enclosed fan cooled) and delivers up to 1179 CFM at 3.98" static pressure loss. Belt-drive blower has an adjustable sheave and self-adjusting gravity belt tightener. Impeller is phenolic-coated steel. Blower has a dry-powder epoxy-coated base and weathercover. An integral damper prevents backdrafts from flowing down through the ductwork, disrupting airflow within the cabinet. Blower inlet is 12.25" ID and is sized to accept 12" nominal diameter PVC duct. Includes a blower transition adapter outlet sized to accept 12" nominal diameter PVC duct. For operation on 230/460 volts, 3 phase, 60 Hz, 5.8/2.9 amps AC. Dimensions: 24.31" w x 21.5" d x 22.38" high (61.8 x 54.6 x 56.8 cm). See dimensional details below. Shipping weight 100 lbs. (45 kg)



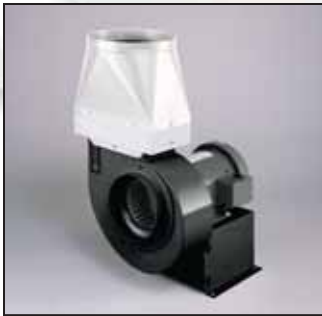
### Dimensions for Remote Blowers 3668000, 3668001 and 3663500



	3668000 & 3668001	3663500
A	7.16"	8.56"
B	7.00"	9.00"
C	8.13"	10.50"
D	6.81"	9.00"
E	9.25"	12.50"
Inlet	10.87" ID	12.25" OD
Outlet	5.5" x 10" OD	7" x 13.5" OD
Blower Wheel	9.19" dia. x 4.25" w	12.19" x 5.25" w

# Remote Blowers

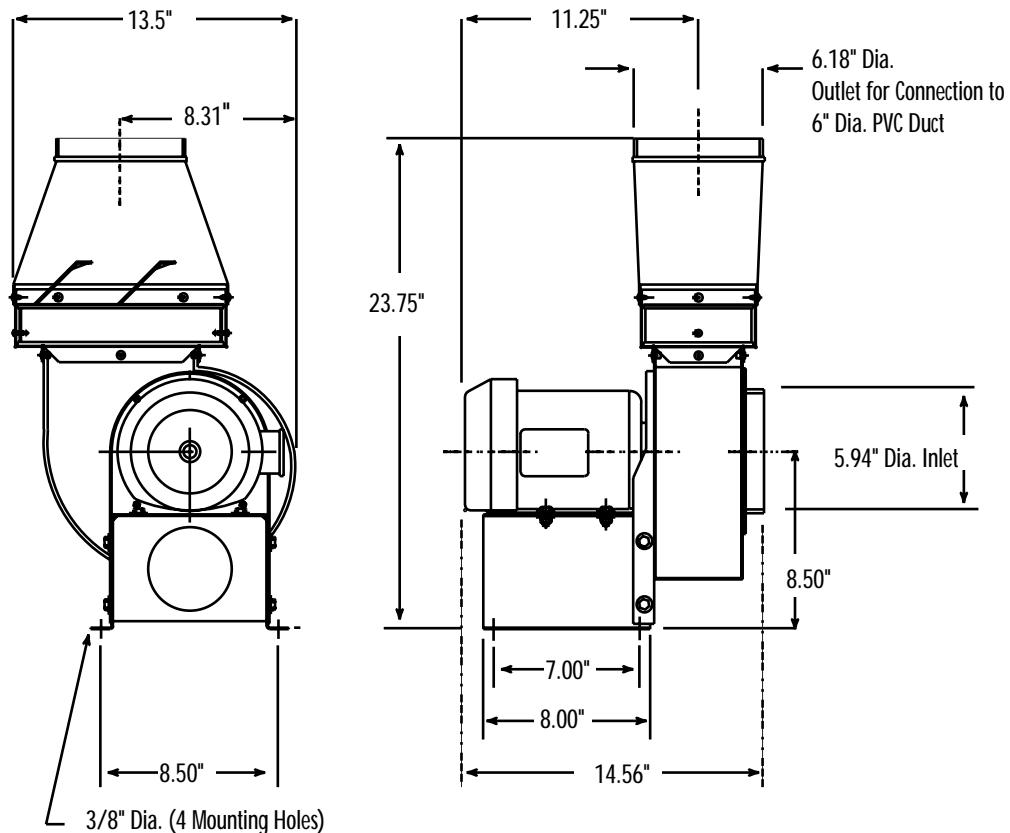
For Purifier® Class I & HEPA Filtered Enclosures



## Remote Blowers with backdraft damper for Canopy-Ducted Purifier Class I and HEPA Filtered Enclosures

A remote blower is required when canopy-ducting the Purifier Class I Safety Enclosure or Purifier HEPA Filtered Enclosure. The direct drive blower has a 1/4 hp TEFC-type motor and overcomes external static pressure of 0.5" at 230 CFM. Housing and impeller are corrosion-resistant phenolic-coated steel. An integral damper prevents backdrafts from flowing down through the ductwork, disrupting airflow within the cabinet. Blower inlet is 5.94" OD and is sized to accept 6" nominal diameter PVC duct. Includes a blower transition adapter outlet sized to accept 6" nominal diameter PVC duct. Dimensions: 14.6" w x 13.5" d x 23.75" high (37.1 x 34.3 x 60.3 cm). See dimensional details below. Contact Labconco for ordering information on Remote Blowers without integral dampers.

Catalog #	For use with:	Electrical Requirements	Shipping Weight
3716000	3980200, 3980201	115 volts, 60 Hz, 4.4 amps	36 lbs. (16.3 kg)
	3980202, 3980203		
	3980300, 3980301		
	3980302, 3980303		
	3980400, 3980401		
	3980402, 3980403		
3716001	3980220, 3980221	230 volts, 50 Hz, 2.8 amps	36 lbs. (16.3 kg)
	3980222, 3980223		
	3980320, 3980322		
	3980322, 3980323		
	3980420, 3980421		
	3980422, 3980423		



# Biological Safety Cabinets, Enclosures & Clean Benches

## GLOSSARY

**aerosol:** A colloid of liquid or solid particles suspended in a gas, usually air.

**agent:** Any biological, chemical or physical power, principle or substance capable of acting upon a subject organism, usually to its detriment.

**air barrier ("air curtain"):** The unidirectional movement of air past and parallel to the plane of an opening and at a velocity greater than that on either side, thereby creating an impedance to transverse movement of airborne particulates through the opening.

**air stream:** A current of air; airflow.

**antiseptic:** A compound that prevents the multiplication of microorganisms. Bacteriostatic in action, not bactericidal. Its use applies to tissues rather than inanimate surfaces.

**aseptic technique:** The performance of a procedure or operation in a manner that prevents the introduction of microorganisms which are capable of causing infection or contamination.

**assessment of risk:** The process of defining biological hazard associated with a microbial or antigenic entity.

**biohazard:** A contraction of the words biological and hazard; infectious agent(s) presenting a real or potential risk to the well-being of man, other animals, or plants, either directly through infection or indirectly through disruption of the environment.

**biohazard cabinet:** See biological safety cabinet.

**biological challenge:** A series of tests performed to assure that aerosols are contained within the cabinet, that outside contaminants do not enter the cabinet, and contaminants in the cabinet remain localized. Suspensions of *Bacillus subtilis* subsp. *niger* spores are used as an indicator in the tests.

**biological safety cabinet:** Cabinet intended to protect the user and environment from the hazards of handling infectious material and other biohazardous material. Some types may also protect the materials being handled in them from contamination.

**Brownian motion:** A random movement of microscopic particles suspended in liquids or gases resulting from impact of the molecules of the suspending agent on the particles.

**canopy connection:** A biohazard cabinet exhaust system with a physical gap or space between the cabinet's exhaust and the exhaust system intake. During operation, the exhaust system draws all of the cabinet's exhaust air through the duct, plus a small volume of room air through the gap.

**certification:** When pertaining to safety cabinets, measurement and/or correction of safety cabinet air velocities, patterns, balance, leakage and filtration system by a qualified technician.

**chemical carcinogen:** Those chemicals designated as posing a potential occupational carcinogenic risk to workers by OSHA or the Department of Health and Human Services Committee for Coordinating Toxicology and Related Programs.

**clean room:** A dust-free facility.

**collection efficiency:** Usually expressed as the percentage of material collected compared with the total amount present, it may be calculated on a particle number basis or a total weight basis.

**contamination:** Any foreign substance which makes an unwanted incursion. In the present context, usually viable airborne particulates.

**decontamination:** The destruction or removal of living organisms (this does not imply either total destruction or total removal), or the removal or neutralization of toxic agents or chemical carcinogens; to make an object safe for unprotected individuals.

**di- (2 ethyl hexyl) phthalate:** See DOP.

**di-sec-octyl phthalate:** See DOP.

**diffuser:** A device, often a screen, used to distribute airflow evenly.

**diffusion:** A phenomenon of HEPA filtration by which Brownian motion causes particles to diffuse across airstream lines impacting them on a filter fiber.

**dioctylphthalate:** See DOP.

**disinfectant:** A chemical agent that kills or inactivates vegetative bacteria, fungi, and viruses, but not necessarily spores. This term applies to inanimate surfaces as opposed to tissues.

**DOP:** Dioctylphthalate, an oil that can be aerosolized to an extremely uniform size; i.e. 0.3  $\mu\text{m}$  for a major portion of any sample; the aerosol is used to challenge HEPA filters.

**hot DOP:** Produced by controlled vaporization and condensation of liquid DOP to give a cloud of monodisperse droplets with diameters of approximately 0.3  $\mu\text{m}$ .

**cold DOP:** Produced by compressed air atomization of room temperature liquid DOP, aerosol size 0.3 to 3.0  $\mu\text{m}$  with a mean diameter of 0.7  $\mu\text{m}$ .

**downstream:** In the direction of the flow.

**droplet:** An airborne particle consisting primarily of liquid. While some settle out quickly, many dry to become droplet nuclei and can add significant numbers of microorganisms to the air.

**exhaust:** The withdrawing and expelling of air from the cabinet by means of a blower or fan; that portion of the cabinet air that is discharged after filtration, either to the room or into a ventilation system.

**filter:** A device used for removal of particulates, including microorganisms, from air or other gases. (Also see HEPA filter.)

**filter efficiency:** The efficiency of various filters can be established on the basis of entrapped particles, i.e., collection efficiency; or on the basis of particles passed through the filter, i.e., penetration efficiency.

**germicidal:** Able to destroy bacteria, fungi, viruses and other similar organisms.

**hard-ducting:** Permanently installed airtight ductwork not intended to be disassembled for normal cabinet servicing or testing.

# Biological Safety Cabinets, Enclosures & Clean Benches

## GLOSSARY

**HEPA filter:** High-efficiency particulate air filter. A disposable extended-pleated dry-type filter with (1) a rigid casing enclosing the full depth of the pleats; (2) a minimum particle removal efficiency of 99.9% for thermally generated monodisperse DOP smoke particles with a diameter of 0.3  $\mu\text{m}$ ; and (3) a maximum pressure drop of 1 inch water gauge when clean and operated at its rated airflow capacity.

**high efficiency particulate air filter:** See HEPA filter.

**horizontal laminar flow bench:** A ventilated cubicle with solid sides having a table-height work surface and unidirectional, minimum turbulence air entering from a vertically mounted high efficiency filter at one side and leaving the cubicle at the opposite (open) side.

**inches of water gauge (in w.g.):** A unit of pressure equal to the weight of a column of liquid water one inch high at 20°C (1 in. w.g.= 0.036 psi).

**infectious agent:** As used in this text, agents capable of producing a disease or abnormal response in man, laboratory animals, or a tissue culture system.

**inflow velocity:** Air velocity at the cabinet work opening; velocity of the air entering the cabinet at the work opening.

**laminar airflow:** Airflow in which the entire body of air within a designated space moves with uniform velocity along parallel flow lines.

**monodisperse aerosol:** An aerosol containing particles of nearly the same size.

**negative pressure:** Pressure in a space which causes an inflow of air.

**partial containment enclosure:** An enclosure which is constructed so that contamination between its interior and the surroundings is minimized by the controlled movement of air. Class I and Class II safety cabinets are examples.

**plenum:** An enclosure for flowing gases in which the static pressure at all points is relatively uniform.

**positive pressure:** Pressure in a space which causes an outflow of air.

**protection:** In Class II cabinets, any aerosol generated is kept away from the technician doing the work.

**environmental protection:** Any aerosol generated within the cabinet is removed from the air or deactivated (such as by incineration) before the air from the cabinet is discharged either inside or outside the facility.

**personnel protection:** Any aerosol generated within the cabinet is kept away from the technician doing the work.

**product protection:** The air at the work surface of the cabinet has been filtered so that it is free of airborne particles and organisms which could contaminate the work.

**static pressure:** The pressure of a fluid exerted in all directions equal and opposite to the pressure tending to compress the fluid. In ventilation applications, static pressure is usually the difference between the absolute pressure in an exhaust system and atmospheric pressure.

**sterile:** The absence of all life on or in an object. This is an absolute term; there can be no such description as nearly sterile, partially sterile, etc.

**sterilize:** Any process, physical or chemical, which results in the absence of all life in an object, applied especially to microorganisms, including bacteria, fungi, and their spores and the inactivation of viruses.

**supply air:** Air entering the cabinet through the work opening to make up for the volume of air exhausted.

**thimble connection:** See canopy connection.

**ultraviolet (UV) light:** Radiation in the electromagnetic spectrum having wavelengths from approximately 200 to 390 nanometers.

**velocity:** The time rate of linear motion in a given direction.

**capture and/or containment velocity:** The velocity necessary to capture or contain a generated contaminant, in a cabinet this usually ranges from 50 to 200 fpm.

**viable:** Literally, capable of life. Generally refers to the ability of microbial cells to grow and multiply as evidenced by formation of colonies on an agar culture medium; or, as with viruses, to divert the host cell's metabolism to replication of the parasite.

**virus:** A parasitic microorganism, smaller than a bacterium. Viruses have no independent metabolic activity, and may replicate only within a cell of a living plant or animal host.

*Portions of glossary taken from First, Melvin et al., Student Manual: Testing of Class II Biological Safety Cabinets, 1986. Dept. of Environmental Health Science, Harvard School of Public Health, Boston, MA*

# Biological Safety Cabinets, Enclosures & Clean Benches

## I N D E X

Catalog #	Page	Catalog #	Page	Catalog #	Page
3600000	45	3770301	65	3970204	51
3600004	45	3770400	65	3970205	54
3600020	45	3770600	65	3970220	51
3600024	45	3770601	65	3970221	51
3610000	45	3773700	46	3970222	54
3610004	45	3773800	46	3970223	51
3610020	45	3773801	46	3970224	51
3610024	45	3773802	46	3970225	54
3612500	45	3776800	27, 67	3970300	51
3612504	45	3780100	62, 63	3970301	51
3612520	45	3780101	62, 63	3970302	54
3612524	45	3780102	63	3970303	51
3618000	46	3780103	62	3970304	51
3620000	25	3780104	62, 63	3970305	52, 54
3620004	24, 25	3780105	62, 63	3970320	51
3620100	25	3780106	62, 63	3970321	51
3620104	25	3780107	62, 63	3970322	54
3620110	25	3780200	62, 63	3970323	51
3620114	25	3780201	62, 63	3970324	51
3620120	25	3780202	62, 63	3970325	54
3620124	25	3780203	63	3970400	51
3620400	25	3780208	62	3970401	51
3620404	25	3780300	62, 63	3970402	54
3620500	25	3780301	62, 63	3970403	51
3620504	25	3780302	62, 63	3970404	51
3620510	25	3780303	62, 63	3970405	54
3620514	25	3780304	62, 63	3970420	51
3620520	25	3780305	62, 63	3970421	51
3620524	25	3780310	64	3970422	54
3620800	25	3780311	64	3970423	51
3620804	20, 25, 66	3780312	24, 64	3970424	51
3620900	25	3780313	64	3970425	54
3620904	25	3780314	64	3980200	39
3620910	25	3780315	64	3980201	38
3620914	25	3780316	64	3980202	39
3620920	25	3780317	64	3980203	38
3620924	25	3780400	62, 63	3980220	39
3620930	25	3780401	62, 63	3980221	38
3620934	25	3780402	62, 63	3980222	39
3621200	25	3784000	62	3980223	38
3621204	25	3794400	27, 67	3980300	39
3621300	25	3794500	27, 67	3980301	38
3621304	25	3794600	27, 67	3980302	36, 39
3621310	25	3811100	61	3980303	38
3621314	25	3811101	61	3980320	39
3621320	25	3811102	61	3980321	38
3621324	25	3811103	61	3980322	39
3621404	28, 32	3811104	61	3980323	38
3663500	34, 68	3811105	61	3980400	39
3668000	27, 67, 68	3811106	61	3980401	38
3668001	27, 67, 68	3811108	61	3980402	39
3697500	46	3830500	60, 61	3980403	38
3716000	69	3830501	60	3980420	39
3716001	69	3830510	61	3980421	38
3721000	55	3908402	57, 58, 59	3980422	39
3721001	55	3909900	38, 40, 48, 50, 55	3980423	38
3721002	55	3909901	36, 40, 52, 54, 55	3990000	65
3730300	60, 61	3909902	39, 40, 55	3990001	65
3730310	60, 61	3924000	41	3990002	65
3730400	20, 60, 61, 66	3924400	41	3990003	65
3730410	60, 61	3924401	41	3990004	65
3730600	28, 32, 60, 61	3924402	41	3990005	65
3730610	60, 61	3925000	40	3990006	65
3744000	20, 27, 28, 34, 36, 40, 42, 46, 48, 52, 55, 57, 58, 59, 66	3927700	40	3990007	65
3745000	27, 34	3927800	40	4708600	41
3745001	27, 34	3935700	55	4708700	41
3745500	27	3935701	55	4708900	41
3745501	27, 34	3935702	55	4722200	41
3745502	27, 34	3937200	40	4724200	41
3745503	27	3937202	40	4861800	41
3746000	20, 27, 34, 40, 46, 48, 52, 55, 57, 58, 59	3937300	40	5602000	35
3746700	38, 60, 61	3937301	40	5602100	35
3746701	36, 60, 61	3937302	40	5602300	35
3746702	39, 42, 60, 61	3937400	40	5606100	35
3746704	45, 60, 61	3937401	40	5621400	35
3746710	48, 50, 60, 61	3937402	40	5622100	35
3746711	52, 54, 60, 61	3951400	58	7027200	35
3746712	60, 61	3951420	58	7027300	35
3746714	60, 61	3952400	57	7027500	35
3747002	60, 61	3952420	57	7027800	35
3747012	57, 58, 60, 61	3970200	48, 50, 51	7034200	35
3747500	27, 34	3970201	51	7067300	35
3768900	46	3970202	54	7095100	35
3768901	46	3970203	51	8022000	20, 27, 34, 66
3770300	65				